

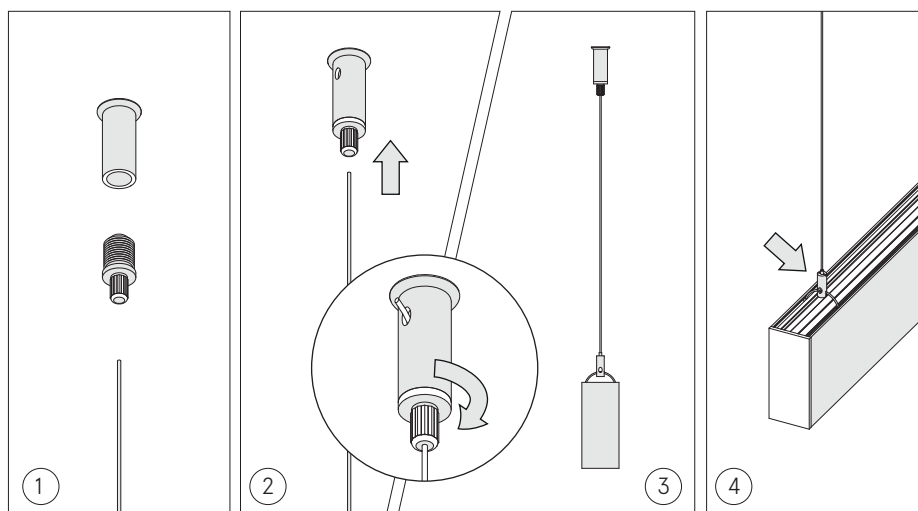
Evelo LED

INSTALLATION INSTRUCTIONS

SUSPENSION

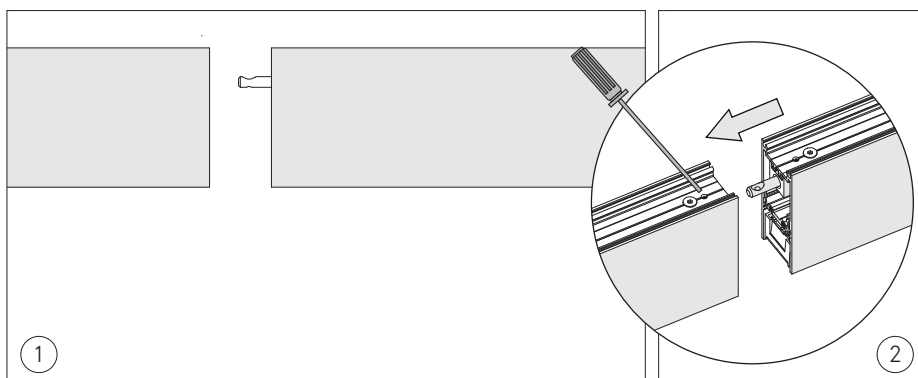
DESIGNED & MANUFACTURED IN AUSTRALIA

INSTALLATION MUST BE CARRIED OUT BY LICENSED ELECTRICIAN ONLY
READ ALL INSTRUCTIONS BEFORE COMMENCING INSTALLATION



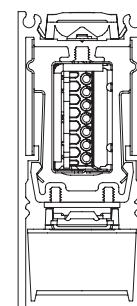
SUSPENSION:

- Step 1.** Fix ceiling canopy to ceiling using appropriate screw, in required position
- Step 2.** Screw auto safety lock into ceiling canopy and feed suspension wire through. Secure by tightening screw lock
- Step 3.** Suspend luminaire to required height by adjusting length of suspension wire
- Step 4.** Trim excess suspension wire at balancing cylinder



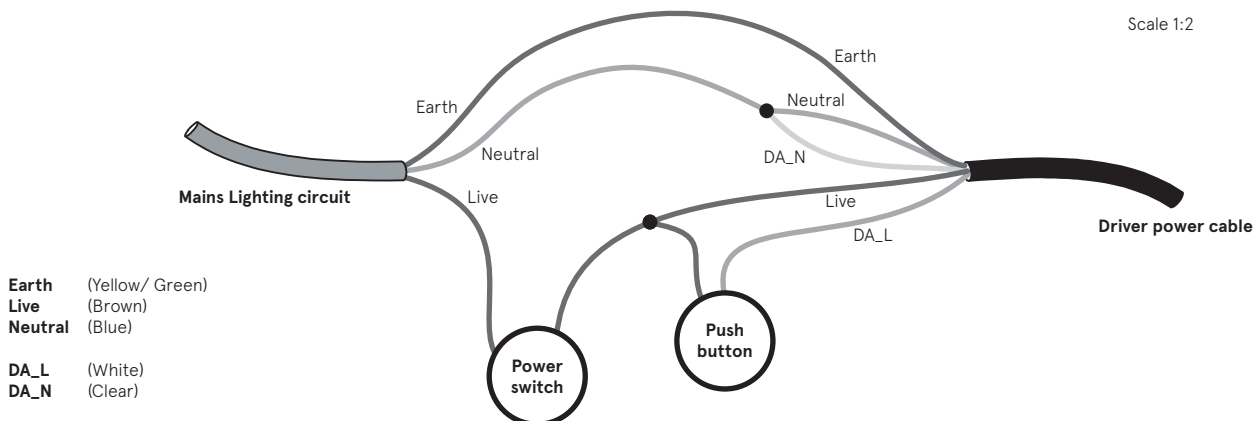
JOINING LUMINAIRES:

- Step 1.** Slide both sections of luminaire together
- Step 2.** Insert a 2.5mm allen key into the access hole at the back of the extrusion and tighten internal grub screw until the sections pull together and close.



Scale 1:2

WIRING CONFIGURATIONS FOR SWITCH DIMMING:



NOTE: Technical information is correct at time of printing, subject to change without notice.